

IMMERGAS PARTAGE BOXES

SUPPLIED BY:



Immergas Partage Boxes are available in 4 different configurations, suitable for direct temperature zones and mixed temperature zones.

Immergas Partage Boxes are compatible with a wide range of Immergas heat sources and various other heat sources that Hunt Heating supply.



HUNT
HEATING

12 MONTH*
WARRANTY



PARTAGE BOX CONFIGURATIONS

DIM^{v2} 2 ZONE

Hydraulic manifold, 2 pumps and electronic board

DIM^{v2} 3 ZONE

Hydraulic manifold, 3 pumps and electronic board

DIM^{v2} H-LT

Hydraulic manifold, 2 pumps, 1 mixing valve and electronic board

DIM^{v2} H-2LT

Hydraulic manifold, 3 pumps, 2 mixing valves and electronic board

NEST LEARNING THERMOSTAT



FLEXI PRO-FIT PIPE



HUNT HEATING
The smart choice.

SHOWROOM

11 Fiveways Boulevard
Keysborough
VIC 3173

PHONE 1300 00 1800

FAX (+613) 9798 5133

enquiries@huntheat.com.au

www.huntheat.com.au



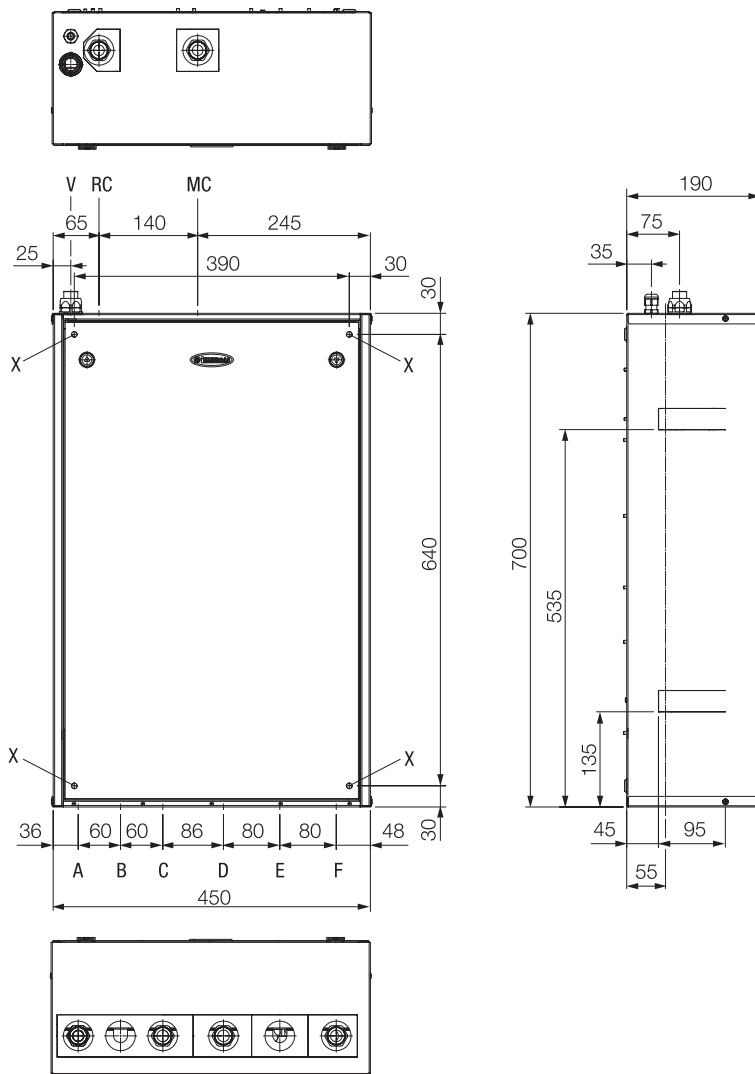
DIM^{v2} 2 ZONE

DIM^{v2} 3 ZONE

DIM^{v2} H-LT

DIM^{v2} H-2LT

Dimensions and connections



Key

RC	Boiler return [G 3/4"]
MC	Boiler flow [G 3/4"]
V	Electric connection
X	DIM ^{v2} fixing holes (wall-hung)

DIM^{v2} 2 ZONE

A	Zone 1 return [G 3/4"]
C	Zone 2 return [G 3/4"]
D	Zone 2 flow [G 3/4"]
F	Zone 1 flow [G 3/4"]

DIM^{v2} 3 ZONE

A	Zone 1 return [G 3/4"]
B	Zone 3 return [G 3/4"]
C	Zone 2 return [G 3/4"]
D	Zone 2 flow [G 3/4"]
E	Zone 3 flow [G 3/4"]
F	Zone 1 flow [G 3/4"]

DIM^{v2} H-LT

A	High temperature return [G 3/4"]
B	Low temperature return [G 1"]
E	Low temperature flow [G 1"]
F	High temperature flow [G 3/4"]

DIM^{v2} H-2LT

A	High temperature return [G 3/4"]
B	Zone 1 low temperature return [G 1"]
C	Zone 2 low temperature return [G 1"]
D	Zone 1 low temperature flow [G 1"]
E	Zone 2 low temperature flow [G 1"]
F	High temperature flow [G 3/4"]

Supplied with weather proof grommets

